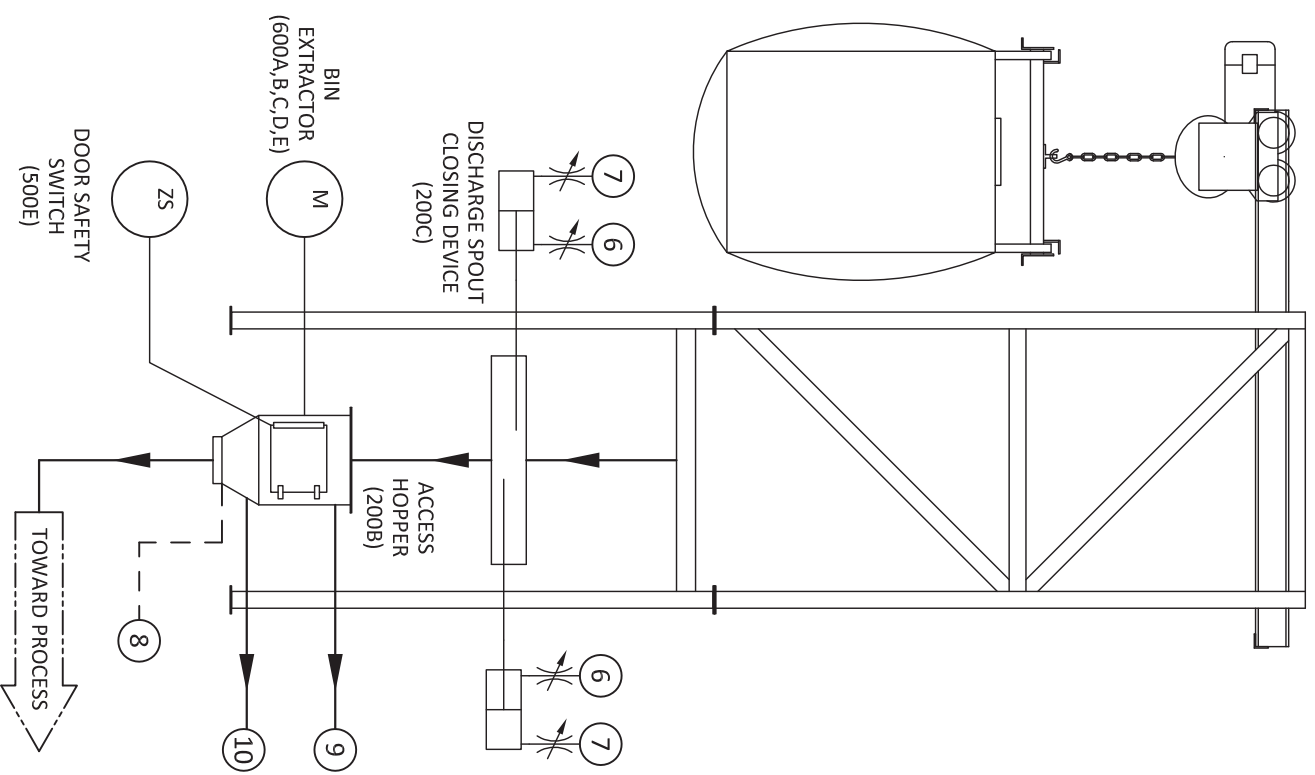
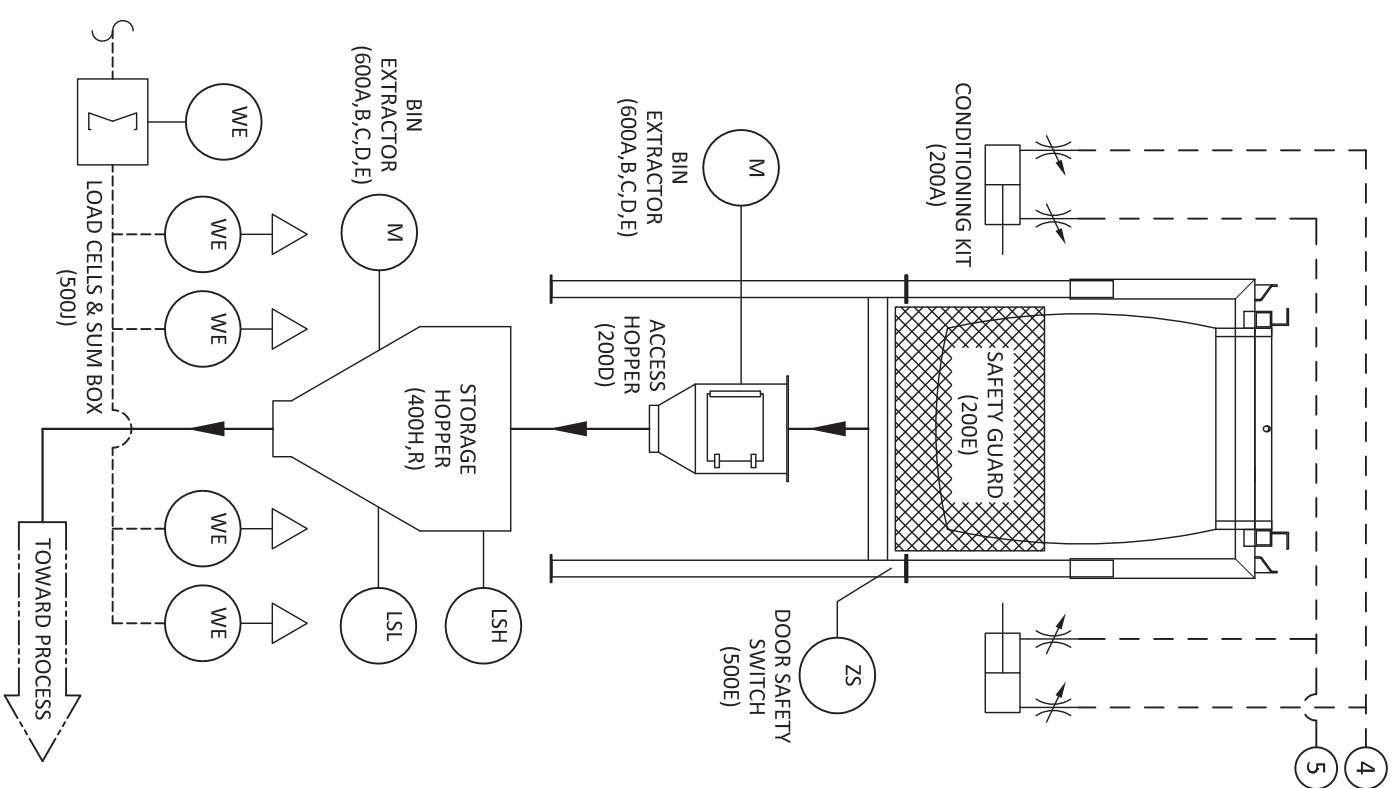


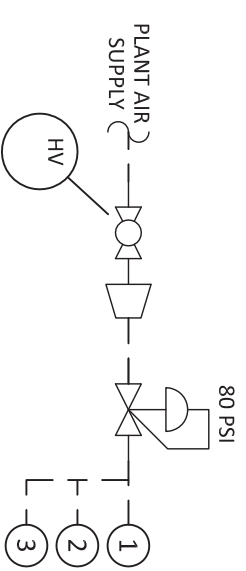
## HOIST & TROLLEY BULK BAG UNLOADER



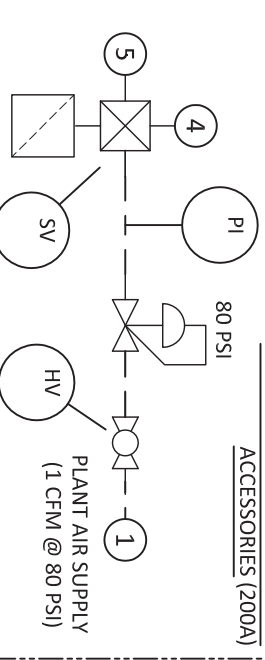
## FORKLIFT BULK BAG UNLOADER



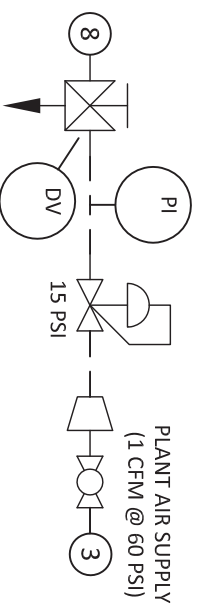
### TYPICAL AIR SUPPLY MANIFOLD



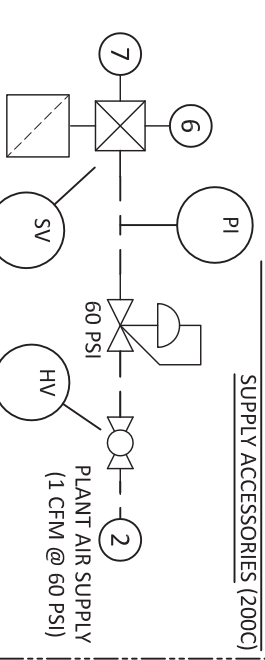
### CONDITIONING KIT AIR SUPPLY ACCESSORIES (200A)



### DUST TIGHT DISCHARGE SPOUT HOPPER SEAL AIR SUPPLY ACCESSORIES (200B)



### DISCHARGE SPOUT CLOSING DEVICE AIR SUPPLY ACCESSORIES (200C)



### INTEGRATED DUST CONTROL SYSTEM W/ VALVE ASSEMBLY (200FG)

